

SPEED-DRI™ MODEL 3620

BY COGENT TECHNOLOGIES



The Speed-Dri Model 3620 Infrared Drying System Increases Drying Speeds up to 350 ft./min. (107 m/min.)

The Speed-Dri Model 3620 Ink Drying System is our smallest and most portable drying system. It provides instantaneous infrared and convection technologies to dry ink printed on target areas up to 1" (25 mm) wide. The Speed-Dri Model 3620 is designed for easy installation, low operation cost, and minimal maintenance.

The Speed-Dri Model 3620 mounting stand is made out of sturdy extruded aluminum. The system is an economical solution for improving throughput resulting in increased profitability.

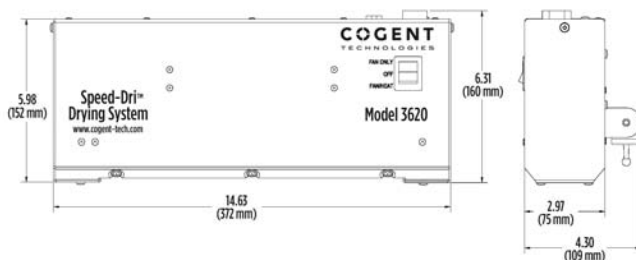
Features and Benefits

- Model 3620 has a lighted length of 10" (254 mm) and provides up to 2.0 kW of power
- Automatic heat adjustment is available using the optional Tachometer Input Circuitry
- Heat adjustment is also available by using the optional potentiometer
- Transport interlock automatically cuts power to the system when the line stops

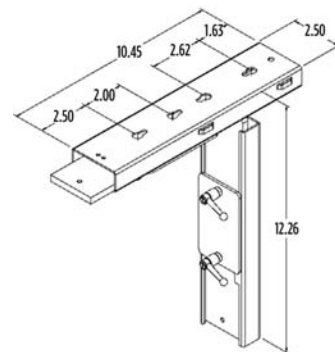
Specifications - Speed-Dri Model 3620

	Physical/Dimensions (120 VAC)	Physical/Dimensions (240 VAC)
Maximum Drying Width	1 inch (25 mm)	1 inch (25 mm)
Overall Length	14.63 inches (372 mm)	14.63 inches (372 mm)
Heated Length	10 inches (254 mm)	10 inches (254 mm)
Blower Air Volume	75 CFM (2.1 m ³ /min)	75 CFM (2.1 m ³ /min)
Lamp (2 Total)	QIH240-2000R12	1000W-Rapido-10-LL-14-OAL
Site Requirements	120 volts / 15 amps	240 volts / 15 amps
Amps at Applied Voltage	11.4 amps	8.5 amps
Power at Applied Voltage	1.4 kW	2.0 kW
Power Connection	3-prong 120 volt line cord	3-prong 240 volt line cord
Interlock relay	4-28 VDC interlock relay to power the lamps when the interlock is closed (generally from the transport moving)	4-28 VDC interlock relay to power the lamps when the interlock is closed (generally from the transport moving)
Mounting	6 mm threaded mounting screw with tilt adjustment bracket	6 mm threaded mounting screw with tilt adjustment bracket
Control Options	<p>On/Off switch: 3-position off / fan only / fan-heat switch</p> <p>On/Off switch with interlock relay: 3-position off / fan only / fan-heat switch with 4-28 VDC interlock relay to power the lamps when the interlock is closed (generally from the transport moving)</p> <p>On/Off switch with interlock manual potentiometer: 3-position off / fan only / fan-heat switch with "Dry Contact" interlock and manual potentiometer to adjust lamp voltage</p> <p>On/Off switch with manual potentiometer and tachometer input: 3-position off / fan only / fan-heat switch with manual potentiometer to adjust lamp voltage and 0-5 VDC tachometer input to vary lamp voltage (Tachometer kit must be ordered separately)</p>	<p>On/Off switch: 3-position off / fan only / fan-heat switch</p> <p>On/Off switch with interlock relay: 3-position off / fan only / fan-heat switch with VDC 4-28 interlock relay to power the lamps when the interlock is closed (generally from the lamp voltage)</p> <p>On/Off switch with interlock manual potentiometer: 3-position off / fan only / fan-heat switch with "Dry Contact" interlock and manual potentiometer to adjust lamp voltage</p> <p>On/Off switch with manual potentiometer and tachometer input: 3-position off / fan only / fan-heat switch with manual potentiometer to adjust lamp voltage and 0-5 VDC tachometer input to vary lamp voltage (Tachometer kit must be ordered separately)</p>

Dimensions - Speed-Dri Model 3620



Speed-Dri Model 3620 Dimensions - inches (mm)



Optional Mounting Kit